

Sept. 23, 1930.

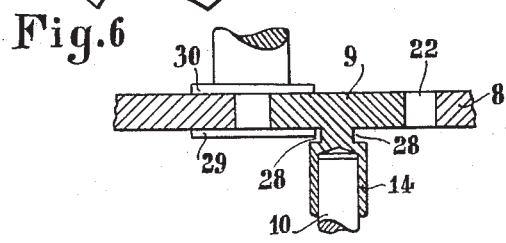
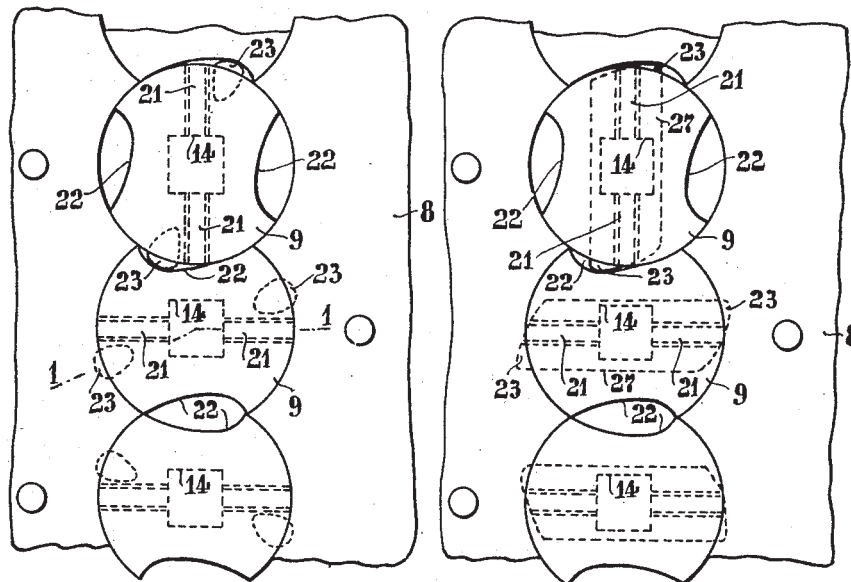
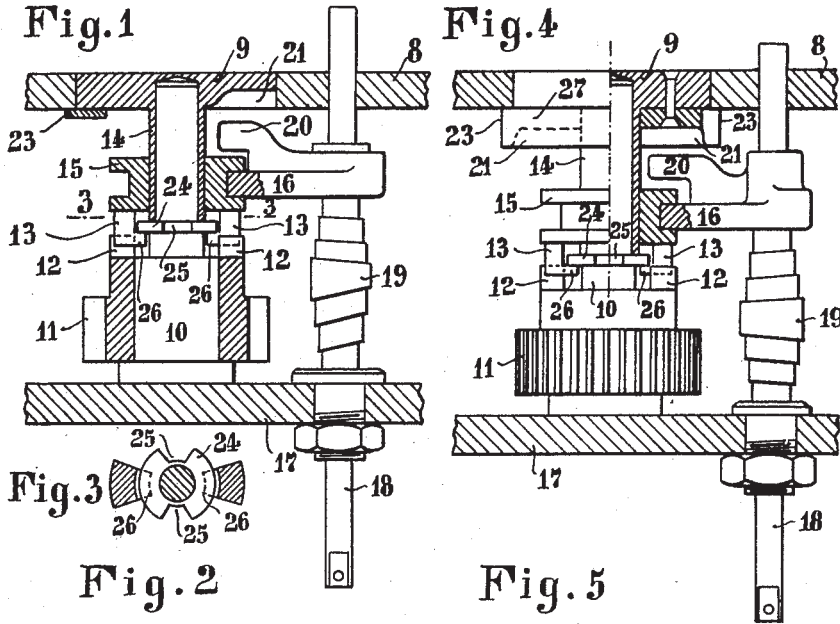
E. KRENZLER

1,776,361

LACE BRAIDING MACHINE

Filed March 28, 1929

2 Sheets-Sheet 1



Inventor:
Emil Krenzler
by Paul J. Schmitt
Attorney.

Sept. 23, 1930.

E. KRENZLER

1,776,361

LACE BRAIDING MACHINE

Filed March 28, 1929

2 Sheets-Sheet 2

Fig. 7

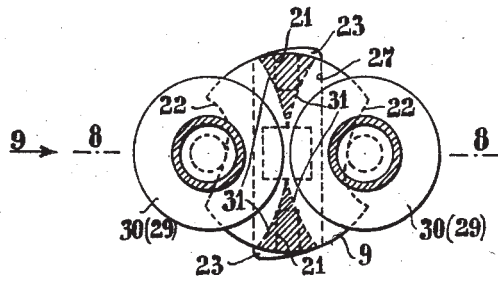


Fig. 8

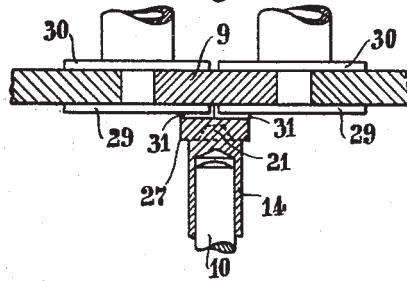
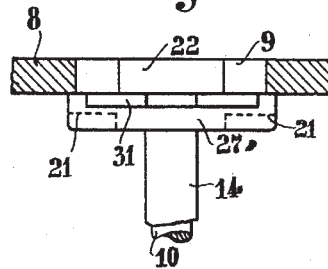


Fig. 9



Inventor:

Emil Krenzler

by Paul H. Hainy
attorney.