

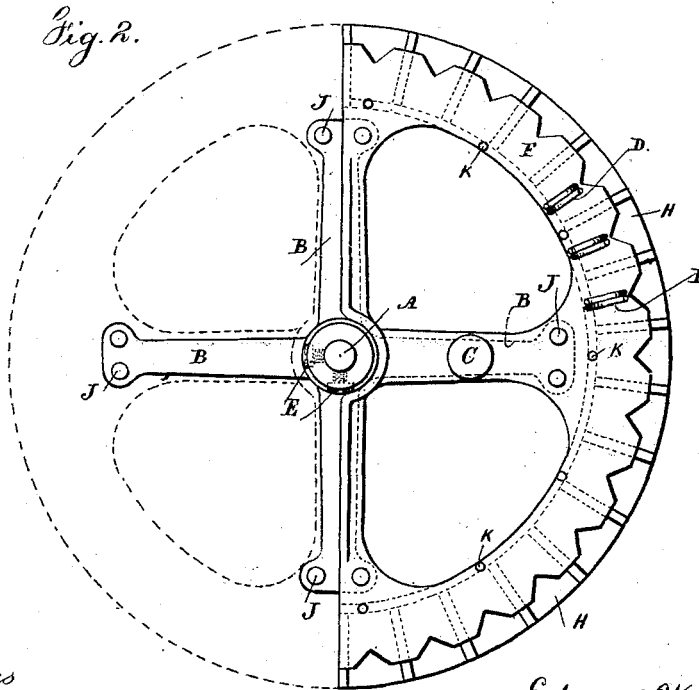
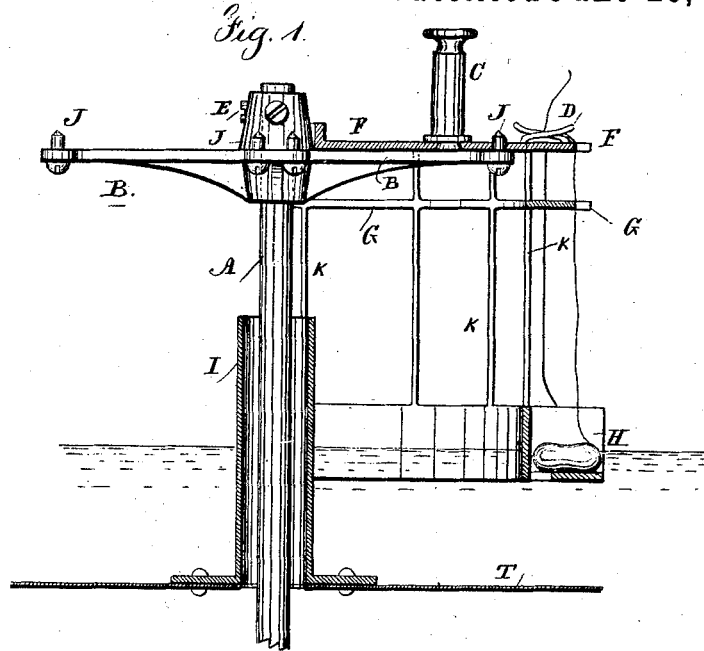
(No Model.)

E. W. SERRELL, Jr.

COCOON HOLDER FOR SILK REELING MACHINES.

No. 320,709.

Patented June 23, 1885.



Witnesses

Chas. H. Smith

J. Staley

Inventor

Edward W. Serrell, Jr.

per Lemuel W. Serrell

att'y

UNITED STATES PATENT OFFICE.

EDWARD W. SERRELL, JR., OF NEW YORK, N. Y.

COCOON-HOLDER FOR SILK-REELING MACHINES.

SPECIFICATION forming part of Letters Patent No. 320,709, dated June 23, 1885.

Application filed February 27, 1884. (No model.)

To all whom it may concern:

Be it known that I, EDWARD W. SERRELL, Jr., of the city of New York, county and State of New York, United States of America, but temporarily residing at Chabeuil, in the Department of Drôme, Republic of France, have invented a new and useful Improvement in Cocoon-Holders for Silk-Reeling Machines, of which the following is a specification.

My invention relates to that part of silk-reeling machinery which supplies one or more new cocoons to the cocoons already paying off to the reeler; and the object of my invention or improvement is to provide a means by which the supply of cocoons may be maintained and renewed with more ease than has heretofore been possible, and without stopping the operation of any part of the machine.

Magazines or cocoon-holders have been constructed in a circular form and in one piece, the cocoons being arranged around the circumference. In the operation of the machine the cocoons were taken from the magazine one at a time, and supplied to the running thread by suitable devices, whenever required, until the entire magazine had become emptied of its supply of cocoons. At this moment, in order to continue the operation of reeling, it has been necessary for the attendant to stop the motion of the whole or a part of the machine, then to remove the empty magazine and replace it by a full one, and then to again set the machine in motion. From this there has resulted loss of time and irregularity in the working of the machine, and other difficulties, which it is the object of the present invention to do away with. I attain this object by means of sectional magazines or cocoon-holders, combined with suitable supports upon the operating parts of the machine, the whole so arranged that a fractional part of the cocoon holder or magazine may be removed at any time when it has been emptied, and replaced by a filled section without in any way interrupting or interfering with the action of the machine, so far as its continued reeling is concerned.

In the drawings, Figure 1 is a view showing in section part of the basin, and its tube, and the sectional cocoon-holder, the shaft and arms upon which the sectional cocoon-holder is supported and the handle by which the cocoon-holder is manipulated being in eleva-

tion. Fig. 2 is a plan of one of the sectional magazines or cocoon-holders.

A is a shaft passing through the tube I within the basin T, and serving to advance the magazine so as to present the cocoons successively, as required.

Near the top of the shaft is carried the plate or arms B, preferably adjustable in position and height by means of the set-screws E E.

The arms at suitable points are provided with stud-screws J J, which fit into holes provided in movable sectors of the sectional magazine. The magazine-sections shown are each one-half of a circle, provided with compartments for holding the cocoons at H, with suspending-rods K, spacing-piece at G, and a top plate or sector at F.

The handle C serves for manipulating the section and lifting it off and on the plate or arms B.

I prefer to provide elastic clips D on the upper plate of the magazine, in order that the ends of the filament may be fully secured by being passed under or between such elastic clips.

The operation of the device is evident, and it will be readily seen that an empty section may be lifted off the plate or arms B and replaced by a full one at any time, while the opposite section is employed in feeding the running thread.

I am aware that previous to my present invention reeling-machines have been made with circular magazines which were detachable in one piece from the machines, and do not claim the same herein.

What I claim as my invention, and desire to secure by Letters Patent, is—

1. The combination, with the water-holding vessel and the shaft A, of a sectional magazine formed of separate holders, each containing compartments for cocoons and separately removable, substantially as specified.

2. The combination, with the basin T, central shaft, A, and plate or arms B, of cocoon-holders formed in sections, and each section provided with several compartments for the cocoons, substantially as specified.

EDWARD W. SERRELL, JR.

Witnesses:

EDWARD P. MACLEAN,
CHARLES F. THIRION.