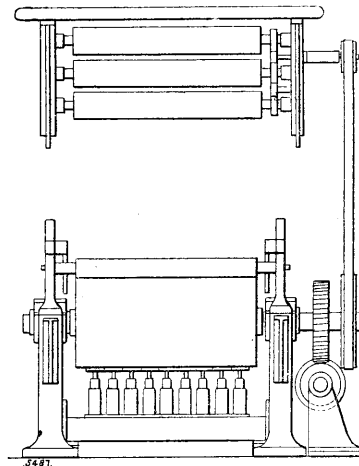


TEXTILE MACHINERY.

5487. D. McKellar, Perth, N.B. Beetling Machine.
 [4 Figs.] March 14, 1899.—This machine is designed for the beetling and finishing of textile fabrics. It comprises a row of beetles or hammers driven by steam or compressed air, which strike on a metal roller or beetling beam above them, over which the cloth is conducted by means of rollers above the beam, some of which are heated by steam. The heads of the beetles, which are made of aluminium, are skewed relatively to the direction of the cloth, to avoid the formation of furrows thereon. The



beetles are rapidly vibrated by means of pistons working in cylinders, and acted on by steam or other fluid under pressure, the working fluid being admitted to annular recesses around the pistons, which uncover ports in the cylinders, automatically distributing the fluid, and dispensing with distributing valves. The rollers are rotated from a fast-and-loose pulley by means of gearing, comprising, in the example illustrated, a worm and wormwheel for the beetling roller, and a belt and pulley for the rollers on which the cloth is rolled. (Accepted March 14, 1900.)