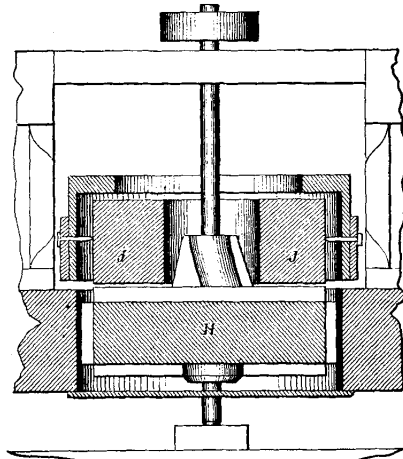


Flock-cutter. A machine for cutting fiber to a very short staple, called *flock*.

Fig. 2026.



Tilton and Ritson's Flock-Cutter.